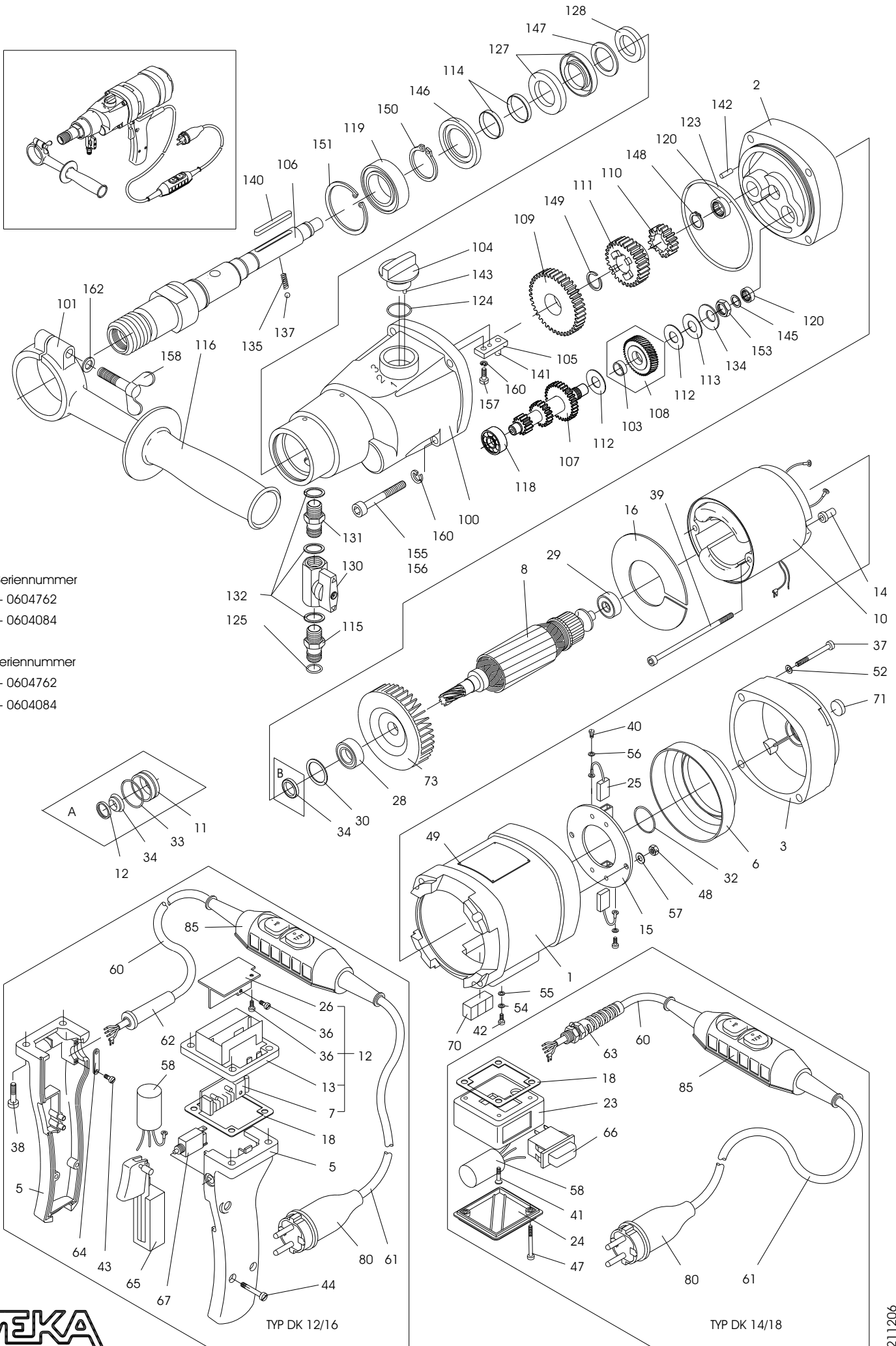
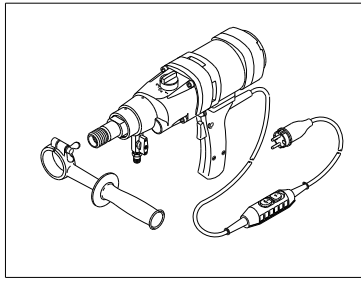


DIAMANT-KERNBOHRMASCHINE TYP DK 12/14/16/18



SPARE PARTS LIST - DIAMOND CORE DRILL TYPE DK 12/14/16/18

EE-DK1 280708

FIG NO	DESCRIPTION	PART NO DK16/18	PART NO DK12/14/16/18	FIG NO	DESCRIPTION	PART NO DK16/18	PART NO DK12/14/16/18
1	1		DK10101	100	1		DK10201
2	1		DK10102-1	101	1	DK12/16	DK12202
3	1		DK10103	103	1		DK10221
5	1	DK12/16	DK12105	104	1		DK10203
	1			105	1	DK30205	DK20205
	Motor Protection Switch	DK12/16	DK12105/11	106	1		DK10206
6	1		DK10106				DK10206.3
7	1	DK16510	DK10510				DK10206.4
8	1						DK10208
	Fan and Bearings 230 V	DK16108	DK10108-1	107	1	DK16208	DK12209
	1			108	1		DK10212
	Armature with			109	1	DK16212	DK10213
	Fan and Bearings 110 V	DK16108/11	DK10108/11-1	110	1	DK16213	DK10214
10	1	DK16109	DK10109	111	1	DK16214	DK10218
	Field compl. 230 V	DK16109/11	DK10109/11	112	2		DK10219
	1			113	1		DK10220
12	1	DK16520	DK10520	114	2		DK20225
	Electronic sealed 230V	DK16520/11	DK10520/11	115	1		8900014
	1			116	1	DK12/16	6062900
13	1		DK10135	118	1		6060052
14	2		DK10116	119	1		6310100
15	1		DK10117	120	2		5578002
	Brush Holder Disc 230 V		DK10117/11	123	1		5520003
	1			124	1		5511025
16	1		DK10118	127	2		5024407
	Air Conducting Disk		DK10122	128	1		5022357
18	1		DK10125	130	1		7014001
23	1	DK14/18	DK14130	131	1		7014005
24	1	DK14/18	DK14135	132	3		7014002
25	2		DK10125	134	1		7014003
	Carbon Brush 230 V		DK10125/11	135	1		4028142
	2		DK10140	136	1		4305016
26	1		DK10140	137	1		2204000
28	1		6060011	140	1		3005040
29	1		6060002	141	1		2505015
30	1		2628171	142	1		2504010
32	1		4526025	143	1		2503016
34	1		5012247	145	1		1910161
36	2		0504006	146	1		DK10204
37	4		0105035	147	1		1925403
38	4	DK12/16	0205025	148	1		3514001
39	2		0204100	149	1		3618000
40	2		0203005	150	1		3525012
41	1	DK14/18	0405016	151	1		3447175
42	1		0304006	153	1		1012015
43	2	DK12/16	0539095	155	1		0105080
44	2	DK12/16	0539019	156	3		0105050
47	2	DK14/18	0205050	157	1		0105012
48	2		1004000	158	1	DK12/16	0506040
49	4		2223004	160	5		1805000
52	4		1805000	162	1	DK12/16	1806125
54	1		1804137	1			9012001
55	1		1804433	1		DK12/16	DK10810
56	2		1803433				
57	2		1804125				
58	1		DK10130				
60	1		8715152				
61	1		8723151				
	1		8738151				
	1		8740141				
	1		8738251				
62	1	DK12/16	8701000				
63	1	DK14/18	8804020				
64	1	DK12/16	8800010				
65	1	DK12/16	8015212				
66	1	DK14	8015014				
	1	DK14/18	8015514				
	1	DK14/18	8015018				
67	1	DK12	8010615				
70	1		7510029				
71	1		7500015				
73	1		DK20105				
80	1		8016013				
	1		8016001				
	1		DK20620				
85	1		8400010				
	1		8400110				

Please specify in case of spare part orders:
Machine No., Quantity, Description, Part No. and by
electrical parts the voltage.

WEKA Elektrowerkzeuge, Auf der Höhe 20,
D 75387 Neubulach - Altbulach, Germany
Telephone: +49 7053 96816-0 · Telefax: +49 7053 3138
Internet: <http://www.weka-elektrowerkzeuge.de>
Email: weka@weka-elektrowerkzeuge.de