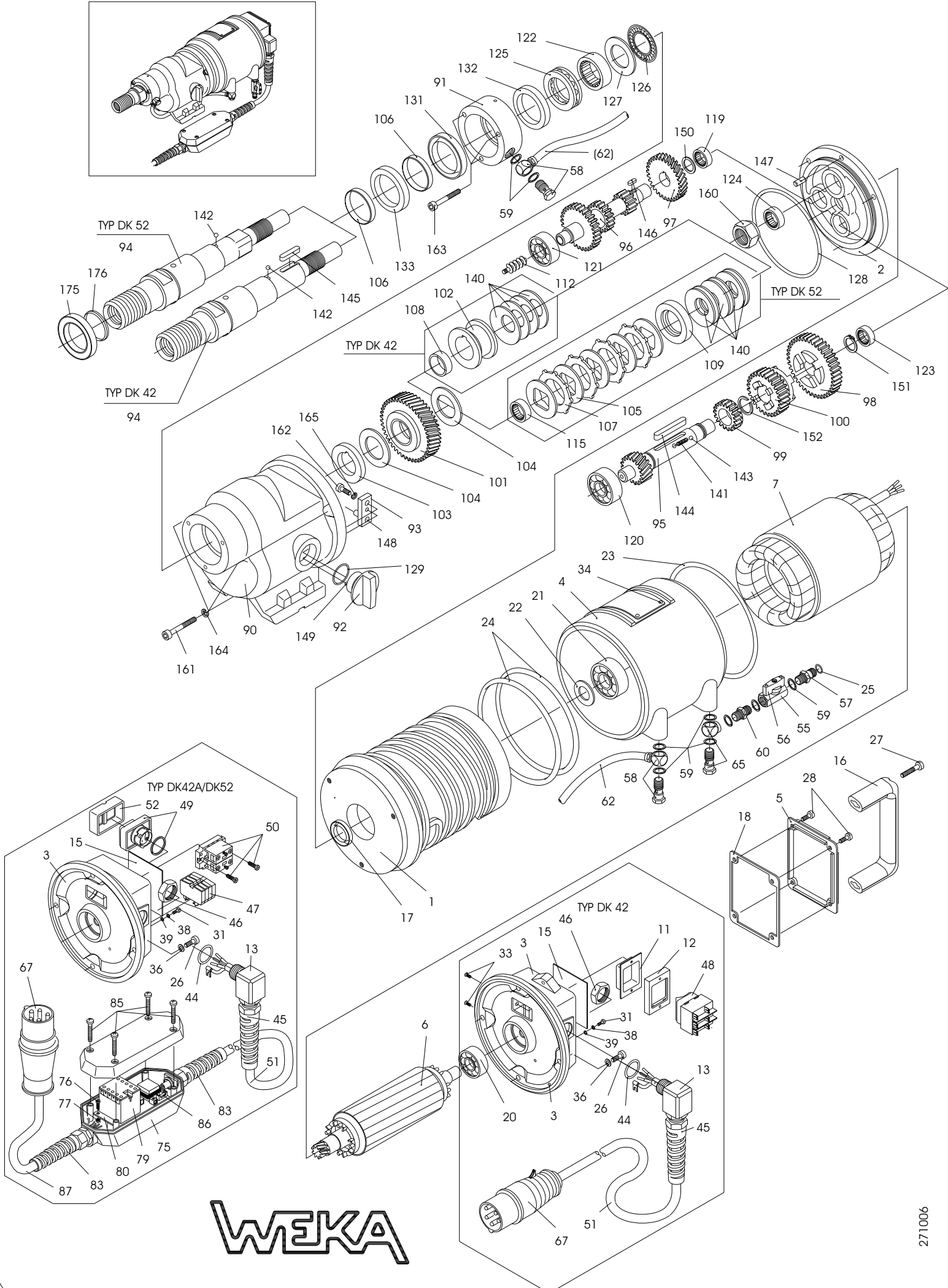
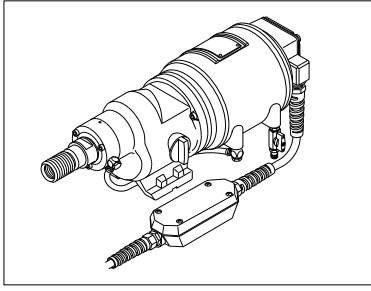


DIAMANT-KERNBOHRMASCHINE TYP DK 42 (A),(L,S), DK 52



WEKA

SPARE PARTS LIST - DIAMOND CORE DRILL TYPE DK 42(A,S), DK 52

EE-DK4-5 091109

FIG NO DESCRIPTION		PART NO		FIG NO DESCRIPTION		PART NO			
		DK 52	DK42/52			DK 52	DK42/52		
1	1	Motorcase	DK50101	DK40101	90	1	Gear Box	DK30201	DK20201
2	1	Intermediate Flange	DK50102	DK40102	91	1	Water Supply Bush		DK20202
3	1	Motor Top Hood DK42		DK40103	92	1	Gear Change Grip		DK20203
	1	Motor Top Hood DK42A/DK52		DK40103A	93	1	Gear Change Lever	DK30205	DK20205
4	1	Case Sleeve	DK50104	DK40104	94	1	Drill Spindle	DK30206	DK20206
5	1	Terminal Case Cover		DK20106	95	1	Gear Change Shaft	DK50207	DK20207
6	1	Rotor with Bearings	DK50108	DK40108		1	Gear Change Shaft S	DK20207	DK20207S
7	1	Stator 400 V DK42		DK40109	96	1	Pinion Shaft	DK30208	DK20208
	1	Stator 400 V DK42A/DK52	DK50109	DK40109A	97	1	Spur Wheel	DK52209	DK42209
	1	Stator 230 V DK42A/DK52	DK50109/23	DK40109A/23	98	1	Gear Wheel 1	DK30212	DK20212
11	1	Switch Guard Cap DK42		DK40130	99	1	Gear Wheel 3	DK30213	DK20213
12	1	Switch Clamping Frame DK42		DK40135	100	1	Slide Gear Wheel	DK30214	DK20214
13	1	Cord Angle with O-Ring		DK40140-1	101	1	Spindle Wheel	DK50215	DK40215
15	1	Terminal Case Insulation		DK40120		1	Spindle Wheel S	DK50215S	DK40215S
16	1	Carrying Handle		DK30105	102	1	Pressure Shell DK42		DK20216
17	1	Rotary Shaft Seal		5020327	103	1	Supporting Disc		DK40217
18	1	Terminal Case Sealing		DK40122	104	2	Brake Disk A	DK30218	DK20218
20	1	Ball Bearing 62022Z		6062022	106	2	Protective Sleeve		DK20210
21	1	Ball Bearing 60042Z		6060042	107	4	Brake Disk B	DK30221	
22	1	Compensation Washer		2641301	108	1	Bearing Socket DK42		DK40220
23	1	O-Ring 135x4		4513502	109	1	Pressure Ring	DK50216	
24	2	O-Ring 127x4		4512704	112	1	Feed Worm	DK50230	
25	1	O-Ring 11x25		4511025	115	1	Needle Cage	6326130	
26	4	Hex. Soc. Head Screw M6x20		0106020	119	1	Needle Bearing		6349000
28	4	Fill. Head Screw M4x12		0204012	120	1	Ball Bearing	6302	6063020
31	1	Slot. Pan Head Screw M4x6		0304006	121	1	Ball Bearing	6201	6062010
33	2	Counters. Head Screw DK42		0539016	122	1	Needle Bearing		6330200
34	4	Round Head Groov. Pin		2223004	123	1	Needle Bush		6314120
36	4	Sealing Washer		1806001	124	1	Needle Bush		6320160
38	1	Curved Spring Washer		1804137	125	1	Thrust Ball Bearing		6551106
39	1	Medium Washer		1804433	126	1	Thrust Needle Cage		6530470
44	1	O-Ring 18x2		4518002	127	1	Thrust Bearing Washer		6530471
45	1	Cord Gland 400 V		8804020	128	1	O-Ring 102x3	5510203	
	1	Cord Gland 230 V		8804020	129	1	O-Ring 20x3	5520003	
46	1	Hexagon Nut		8806020	131	1	Rotary Shaft Seal 40x52x7	5040527	
47	1	Terminal DK42A		8012503	132	1	Rotary Shaft Seal 38x50x7	5038507	
48	1	Motor Switch 400 V DK42		8039009	133	1	Rotary Shaft Seal 40x52x7S		5040521
	1	Motor Switch 230 V DK42		8039016	140	4	Disk Spring DK42		4045224
49	1	Double Press Key DK42A/DK52		8039205		6	Disk Spring DK52	4045224	
50	1	Switch Element DK42A/DK52		8039207	141	1	Pressure Spring		4305235
51	1	Cord AWG 16/4 DK42		8740154	142	1	Ball		2205000
	1	Cord AWG 18/7 400 V DK42A/DK52		8740107	143	2	Ball		2204000
	1	Cord AWG 16/7 230 V DK42A/DK52		8740157	144	1	Parallel Key A6x6x45		3006045
52	1	Key Diaphragm DK42A/DK52		8039215	145	1	Parallel Key A6x6x30 DK42		3006030
55	1	Ball Valve		7014001	146	1	Parallel Key A4x4x10		3004010
56	1	Grip for Ball Valve		7014005	147	1	Parallel Pin 6m6x10		2506010
57	1	Quick Connect Nipple		DK20225	148	1	Parallel Pin 5m6x15		2505015
58	2	Angle Screwing		7015005	149	1	Parallel Pin 3m6x16		2503016
59	7	Sealing Ring G 1/4"		7014003	150	1	Shim Ring PS14x20x1		1914201
60	1	Double Nipple G 1/4"		7014002	151	1	Retaining Ring 16x1		3516001
62	1	Flexible Hose		7068325	152	1	Retaining Ring SW20		3620000
65	1	Angle Screwing G 1/4"		7015010	160	1	Hexagon Nut		1022015
67	1	Mains Plug CEE 16A 6h 5P 400V		8016005	161	3	Hex. Soc. Head Screw M6x35		0106035
					162	1	Hex. Soc. Head Screw M5x12		0105012
					163	3	Hex. Soc. Head Screw M5x45		0105045
75	1	Cablecase		DK50150	164	3	Locking Washer SM6		1806000
76	2	Fill. Head Screw		0204012	165	1	Locking Washer SM5		1805000
77	2	Hexagon Nut		1004000	170	1	Adhesive Rotation Arrow		9530120
79	1	Contactork DK42A/DK52-400V		8039230		1	Gear Oil 450 ml		9040001
	1	Contactork DK52-230V	8052230		175	1	Antifriction-Element		AE35
80	1	Print Plate 400V /460V		DK40520	176	2	O-Ring		5532015
	1	Print Plate DK42A-230V		DK40520/23					
	1	Print Plate DK52-230V	DK50520/23						
83	2	Cord Gland 400V/230V		8804020					
	1	Cord Gland 230V		8804020					
85	4	Tapping Screw		0548032					
86	1	Fuse		8052020					
87	1	Cord		8705157					

Please specify in case of spare part orders:
Machine No., Quantity, Description, Part No.,
and for electrical parts the voltage.

WEKA Elektrowerkzeuge, Auf der Höhe 20,
D 75387 Neubulach / Germany
Telephone: +49 7053 96816-0 Telefax: +49 7053 3138
Internet: <http://www.weka-elektrowerkzeuge.de>
Email: weka@weka-elektrowerkzeuge.de