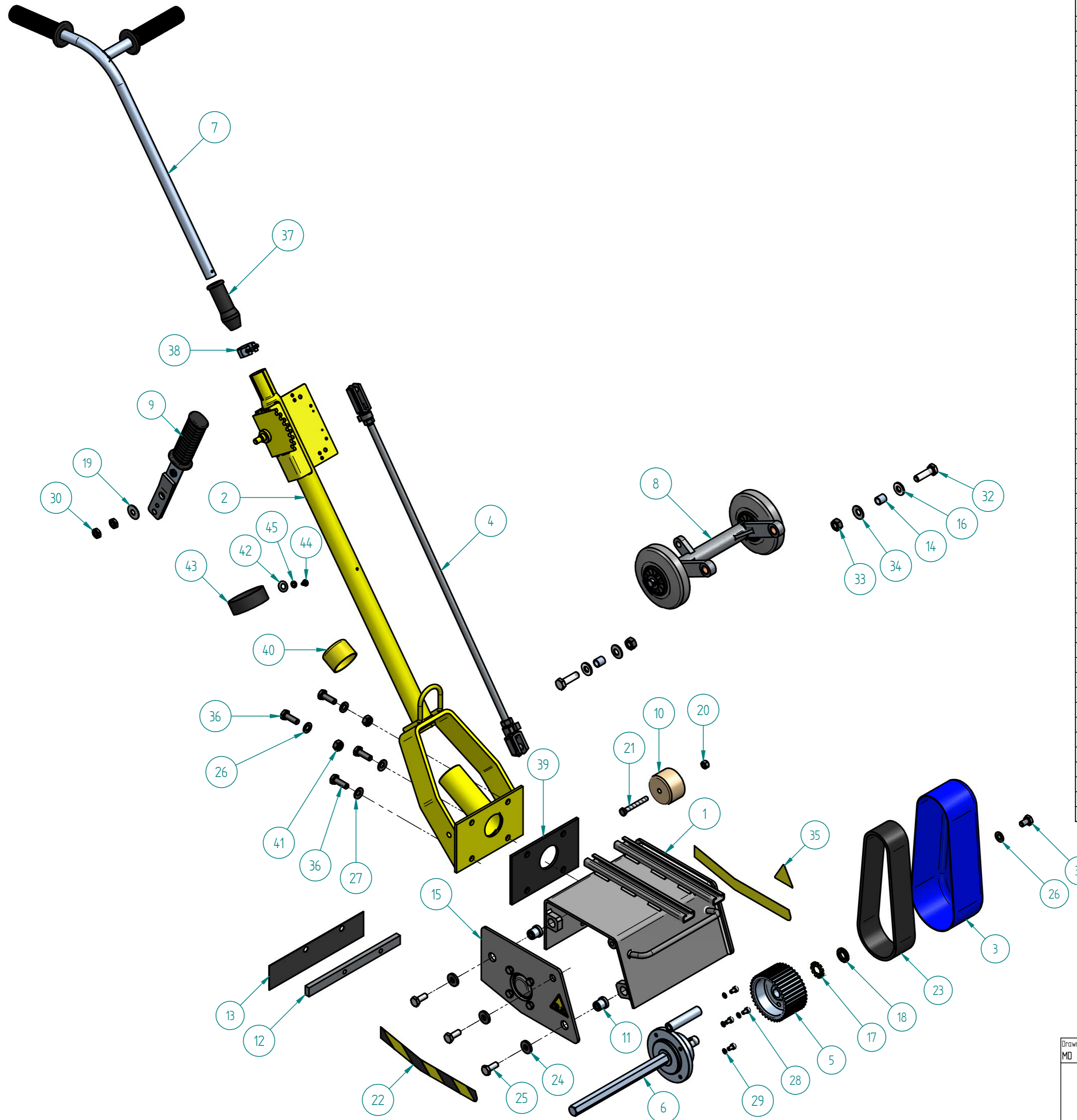


TOLERANCES acc. to ISO / TOLERANSEER entl. ISO
 Applicable where no tolerance is indicated.
 Guller dor tolerans ei direkt utsatts
 For machining / For bearbejning ISO 2768-mk
 For welding / For svejning SS-EN ISO 13920-BF
 Surface finish acc. to ISO 15622 Machine surfaces
 Ytjamhet enligt ISO 1302. For bearbetade ytor.



Item Number	Artikelnummer	Document Number	Title	Quantity
1	701263	625.01.01p	HOUSING FOR FR 200	1
2	701292	625.02.01s	STICK FR 200	1
3	701270	625.01.11e	BELT GUARD FR 200	1
4	701467	625.36.00	ADJUSTING ROD ASSEMBLED FR 200	1
5	701269	625.01.09a	TOOTHED LOCKED WASHER	1
6	701461	625.32.00	DRIVE SHAFT ASSEMBLED	1
7	600112	600112a	HANDLE GRIP ASSEMBLED FR 200	1
8	701468	625.37.00	WHEEL BALANCE PREMONTED FR	1
9	701465	625.34.00	ADJUSTING LEVER ASSEMBLED FR 20	1
10	701271	625.01.12a	FRONT WHEEL FR 200	1
11	701266	625.01.06	CENTERING BUSH	2
12	701324	625.02.35/3c	CLAMPING STRIP	1
13	701325	625.02.36a	RUBBER APRON	1
14	701295	625.02.04a	SPACER DISC FR 200	2
15	701460	625.31.00a	HOUSING COVER ASSEMBLED FR 200	1
16	108547	BN_223_D12	WASHER	2
17	108333	Sicherungsblech_mb3	SAFETY WASHER	1
18	108753	Nutmutter_km3	SHAFT NUT	1
19	108744	BN_806_28	SAUCER SPRING	1
20	100263	BN_161_M8	SAFETY NUT	1
21	102330	BN_57_M8x60	HEXAGON HEAD BOLT	1
22	111727		STRIPE BAND -DANGER-	0,3
23	109353	625.00.13	TOOTHED BELT HTD 640-8M-50	1
24	108544	BN_733_M10	WASHER	3
25	101607	BN_56_M10x25	HEXAGON HEAD SCREW	3
26	106300	BN_715_M10	WASHER	3
27	113919	BN_13292_M10	SAFETY WASHER	2
28	102259	BN_3_M6x10	ALLEN SCREW	4
29	100616	BN_792_M6	SAFETY WASHER SCHNORR®	4
30	102603	BN_124_M10	HEXAGONAL NUT	2
31	102289	BN_56_M10x16	HEXAGON HEAD SCREW	1
32	102186	BN_56_M12x40	HEXAGONAL SCREW	2
33	101823	BN_117_M12	HEXAGONAL NUT	2
34	113920	BN_13292_M12	RIP-LOCK LOCKING WASHER	2
35	115649	625.00.05	STICKER "WARNING CUTTER SHAFT"	1
36	101608	BN_56_M10x30	HEXAGONAL SCREW	4
37	600104	600104a	RUBBER SHOCK ABSORBER	1
38	701059	618.01.14	CLAMP	1
39	600103	600103	RUBBER SEALING	1
40	113410	658.01.46	PROTECTION PIN	1
41	100283		SAFETY NUT	2
42	112834	BN_806_20	SAUCER SPRING	1
43	900231		STRAP WITH LOCK, BLUE	1
44	900257	DIN 968C, φ 4,8 x 13	PAN HEAD TAPPING SCREW	1
45	115448	BN 10614 M6	SPHERIC WASHER M6 / DIN 6319	1
46	115647		STRIPE BAND LABEL Nr.6021	1
47	112450		SICKER - DIF.CUTTERS-	1
48	900219	900219	LABEL FR 200 GENUS	1
49	703552	788.42.21	STICKER -VON ARX-	1
50	701669	630.02.47	STICKER: AUDITORI PROTECTION	1
51	706129	788.42.66	STICKER "INFO"	1
52	708794	625.01.36	ADHESIVE "NO HOUSEHOLD WASTE"	1
53	900074		MOLYKOTE BR2 PLUS	0,005
54	900018		LABEL SWISS DESIGN	1

Material	Dimension	Units : mm	SIZE A2
Drawn By MD	Date 11/03/2021	Approved Date 05/03/2021	Approved By MS
		Description BASIC MACHINE FR200 LV	Article Number 800021
Part/Assembly File 800021.asm		sheet of 1 1	Rev. 800021