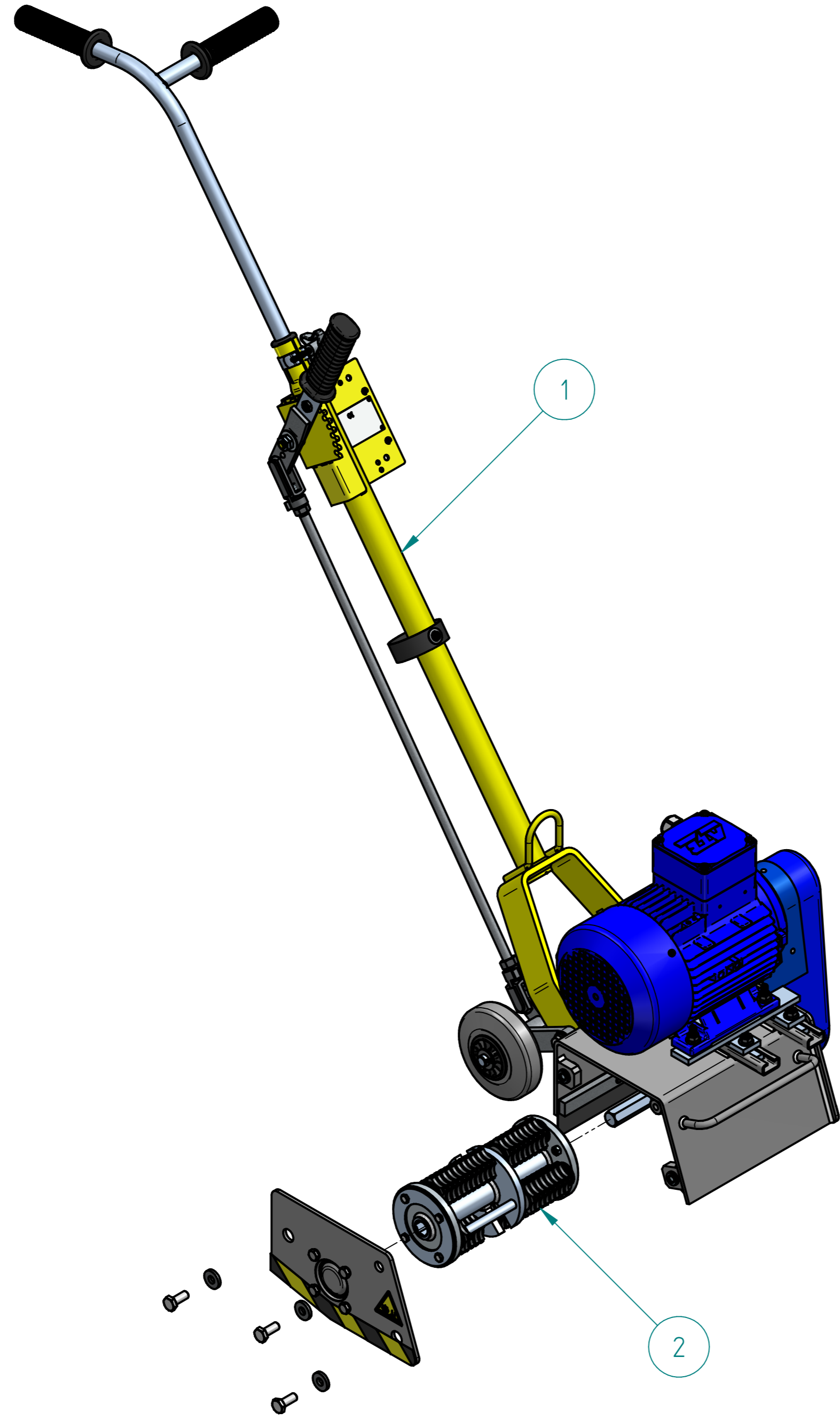


TOLERANCES acc. to ISO / TOLERANSEER entl. ISO
 Applicable where no tolerance is indicated.
 Gäller där tolerans ej direkt utformats
 For machining / For bearbetning ISO 2768-mk
 For welding / For svejtning ISO 5817
 Surface finish acc. to ISO 1302
 Ytjämnhet enligt ISO 1302. För bearbetade ytor.



Item Number	Artikelnummer	Document Number	Title	Quantity
1	701447G	625.26.00G	FR 200 WITH ELECTROMOTOR 230 V Genus	1
2	701422	625.11.13	DRUM WITH PENTAGONAL CUTTERS F	1
3	706309		FOLDING BOX BOARD FR 200	1
4	706310		CUTTING PLYWOOD 9MM	1
5	706311		INSERT WITH HOLE FOR BOXES FR	1
6	708796		CUT OF FLAKE BOARD	1
7	799799		EU - ATTENTION OF CONFORMITY	1
8	799972		OPERATING MANUAL FR200	1
9	799979		WARRANTY CARD FR	1
10	900001		NAYLON BAG WITH TIE 300 X 470mm	1
11	103022	792.65.09	ALLEN KEY	1
12	108042	792.65.01	FORK WRENCH	1
13	109332		CABLE STRAPS	2
14	700603		TUBE MOLYKOTE BR2 PLUS	0,1
15	900017		ZIPPED NAYLON BAG 13 x 16 cm	1
16	799954		BROCHURE: QUALITY PRODUCTS	1

THE INFORMATION CONTAINED IN THIS DRAWING IS THE SOLE PROPERTY OF VON ARX. EXACT REPRODUCTION IN PART OR WHOLE WITHOUT THE WRITTEN PERMISSION OF VON ARX EOOD IS PROHIBITED.

Material		Dimension	
Units : mm	SIZE A2		
Drawn By MS	Date 22/03/2021	Approved Date 22/03/2021	Approved By MS
		Description FR 200 WITH ELECTROMOTOR 230V Genus	Article Number 701449G
		DWG NO 625.26.13G	
Part/Assembly File 6252613G.asm		sheet 1	of 1
			Rev.