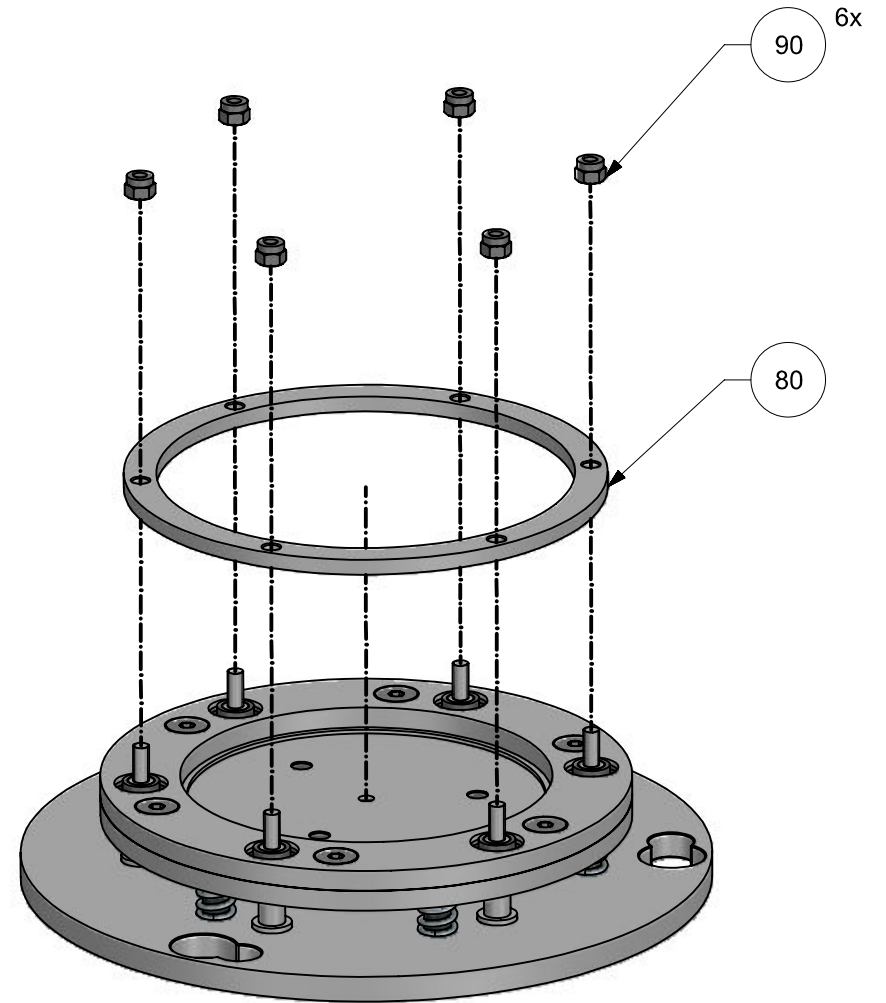
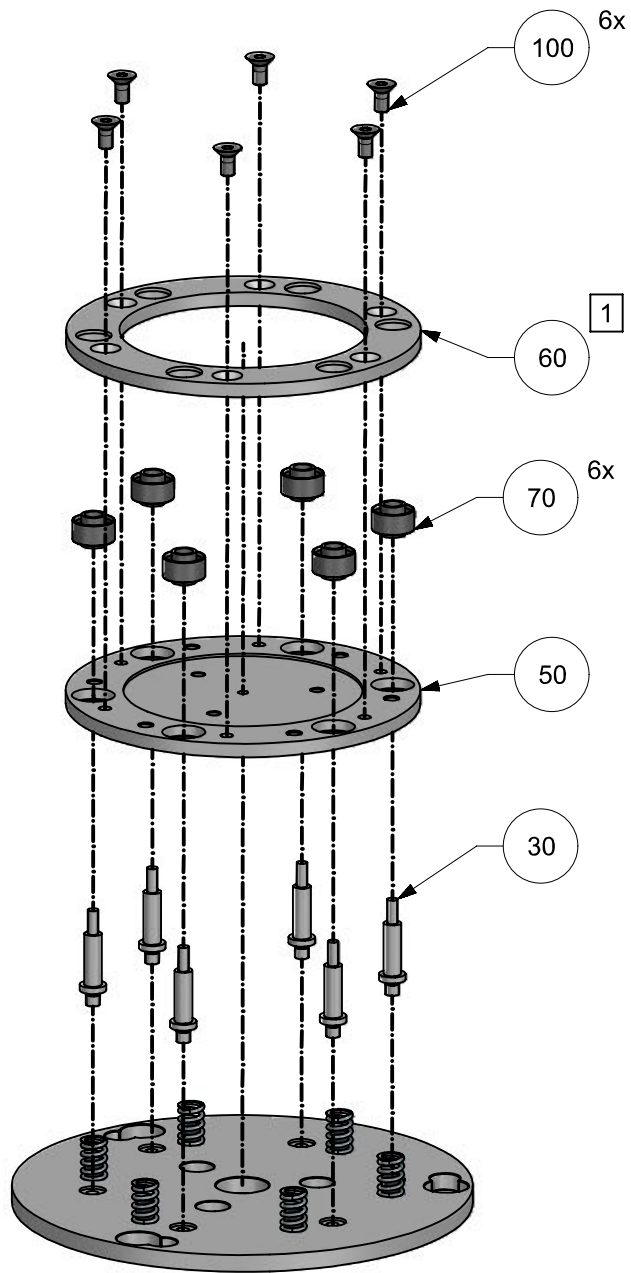


100	S007605/00	DIN_7991,M8x16,4.8	Hexagon Socket Countersunk Head Screw, DIN 7991-1986,M8x16,4.8	NX Standard Part	6
90	S106885/00	DIN_982,M6,8.8	Prevailing Torque Type Hexagon Nut, DIN 982-1987,M6,8.8	NX Standard Part	6
80	P7000565/01	PLATE	SPACER	-	1
70	R7500069/00	DAMPER BUSHING	OD24 ID10 L12-18	-	6
60	P7000559/02	PLATE	WIBRATION REDUCTOR TOP	-	1
50	P7000563/02	PLATE	WIBRATION REDUCTOR BOT	-	1
40	R7500068/00	SPRING	OD15 D2.5 L22	BIOTEK ART NR. D12940	6
30	P7000557/00	SPACER	GRIDING ADAPTER	-	6
20	R7500067/00	BUFFER	DVA.4-10-10M4-10-55	ELESA NR.:412701	6
10	P7000554/02	PLATE	BASE ADAPTER	-	1
NO.	TITLE	NAME	DESCRIPTION	NOTES	QTY


ART.NR. 7000555 -		REV. 01	PROJECTION 	MATERIAL	
TITLE ADAPTER - GRINDER TOOL			FINISH -		
NOTES: -			DESIGNER	PALLAG DESIGN	
1	Revised: P7000563, P7000559	29.08.2023	pd3	DATE	P2209 -
2	Changed Standard Parts	18.02.2024	pd4	LAST CHANGE	PALLAG DESIGN
				DATE	09-Apr-2024
				STATUS	
NO.	CHANGE	DATE	DESIGNER	SHEET 1 / 2	SIZE: A3

THE INFORMATION CONTAINED IN THIS DRAWING IS THE SOLE PROPERTY OF PUVAC HUNGARY KFT. REPRODUCTION IN PART OR WHOLE WITHOUT THE WRITTEN PERMISSION OF PUVAC HUNGARY KFT. PROHIBITED.

UNLESS OTHERWISE SPECIFIED: DIMENSIONS ARE IN MILLIMETERS. FOR UNDEFINED MACHINING TOLERANCES USE ISO 2768-MK. FOR WELDING SS-EN ISO 13920-BF, MACHINED SURFACE FINISH ACCORDING TO ISO 1302. FOR UNDEFINED GEOMETRY SEE 3D MODEL.



THE INFORMATION CONTAINED  
IN THIS DRAWING IS THE SOLE  
PROPERTY OF PUVAC HUNGARY KFT.  
REPRODUCTION IN PART OR WHOLE  
WITHOUT THE WRITTEN PERMISSION  
OF PUVAC HUNGARY KFT. PROHIBITED.

ART.NR. 7000555 -	REV. 01	PROJECTION ⊕	MATERIAL -		
TITLE ADAPTER - GRINDER TOOL			FINISH -		
NOTES: -			DESIGNER	PALLAG DESIGN	PROJECT
			DATE		P2209 -
			LAST CHANGE	PALLAG DESIGN	UNLESS OTHERWISE SPECIFIED: DIMENSIONS ARE IN MILLIMETERS, FOR UNDEFINED MACHINING TOLERANCES USE ISO 2768-MK, FOR WELDING SS-EN ISO 13920-BF, MACHINED SURFACE FINISH ACCORDING TO ISO 1302, FOR UNDEFINED GEOMETRY SEE 3D MODEL.
			DATE	09-Apr-2024	
			STATUS		
NO.	CHANGE	DATE	DESIGNER	SHEET 2 / 2	SIZE: A3